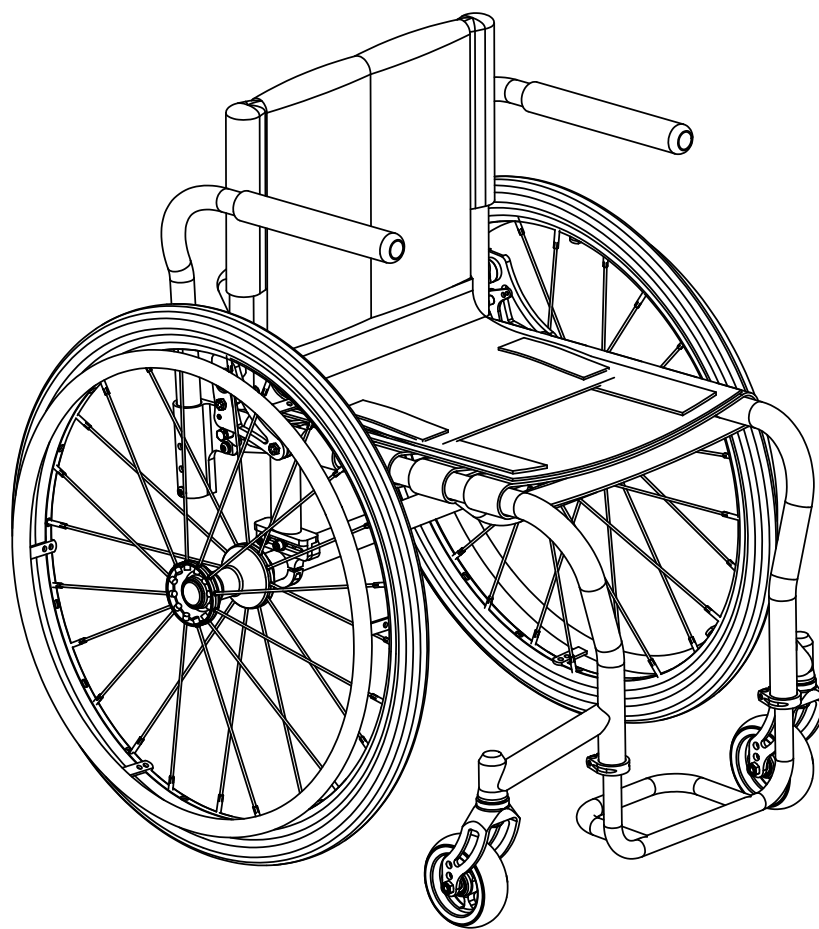
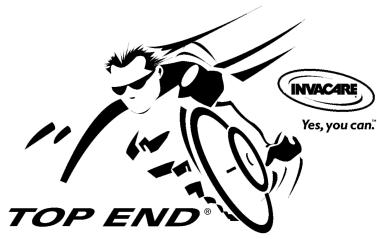


Sports and Recreation Products
4501 63rd Circle North
Pinellas Park, FL 33781
(800) 532-8677 (727) 522-8677
Fax: (727)522-1007

Invacare Top End Parts Catalog Crossfire T6 Crossfire Titanium

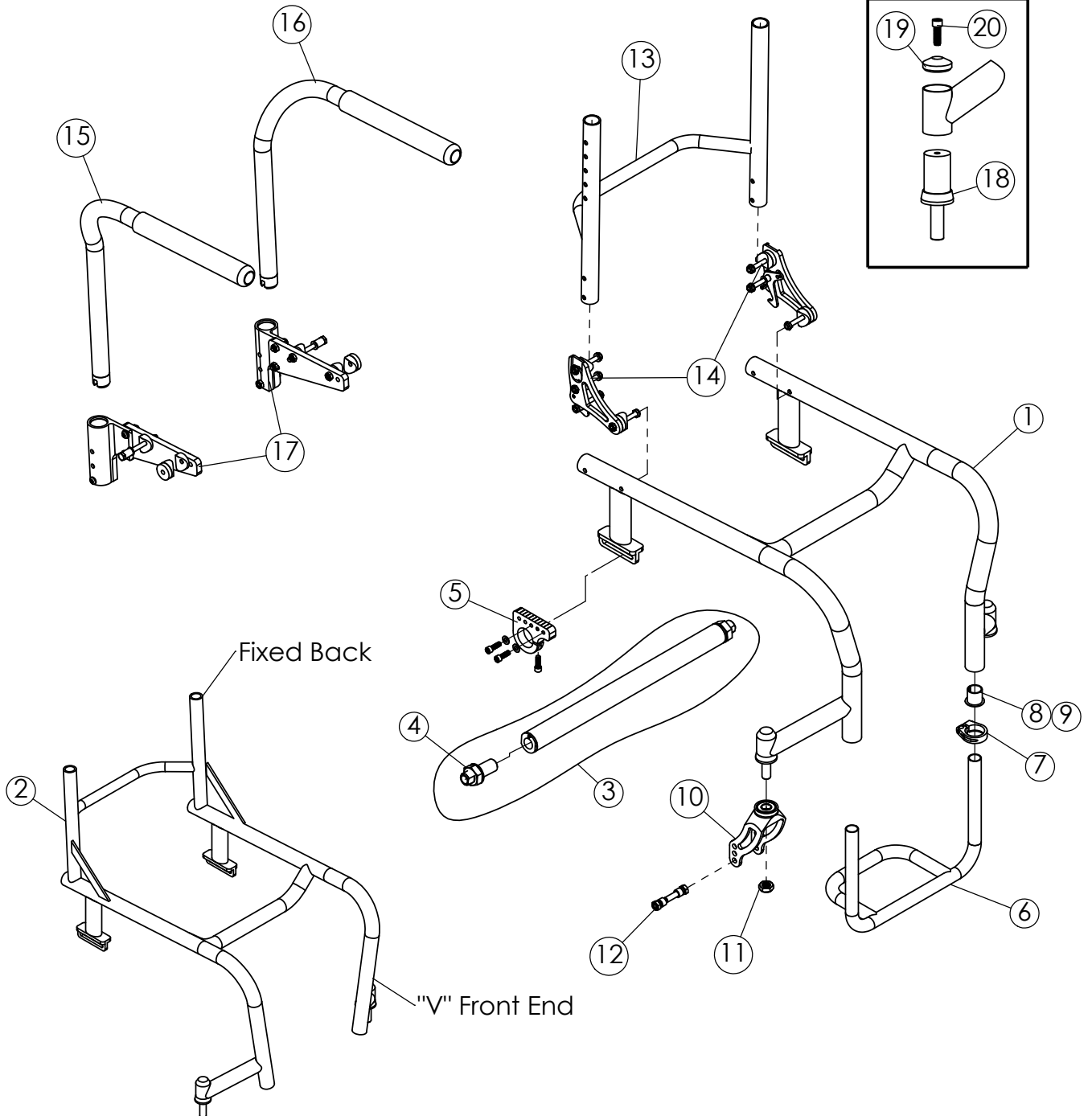




Sports and Recreation Products
 4501 63rd Circle North
 Pinellas Park, FL 33781
 (800) 532-8677 (727) 522-8677
 Fax: (727) 522-1007

Parts Order Diagram Crossfire Frames / Standard Parts

Crossfire Titanium
 Head Tube Assembly





Sports and Recreation Products
 4501 63rd Circle North
 Pinellas Park, FL 33781
 (800) 532-8677 (727) 522-8677
 Fax: (727)522-1007

Parts Order Diagram Crossfire Frames / Standard Parts

Date: _____ P.O./Customer#: _____ Ship to Customer Provider Part Tracking#: _____
(TOP END Use Only)

Provider _____	Acct# _____
Address _____	Suite _____
City _____	State _____ Zip _____
Work Phone (_____) _____	Fax _____
Cell Phone (_____) _____	
E-mail _____	

Customer _____
Address _____ Apt. _____
City _____ State _____ Zip _____
Home Phone (_____) _____
Cell Phone (_____) _____
E-mail _____

ITEM NO.	QTY PER CHAIR	PART NUMBER	DESCRIPTION	ORDER QTY.
1	1	1127964	Frame: T6 for folding back, specifications required - see new chair order form	
2	1	1127965	Frame: T6 for fixed back, specifications required - see new chair order form	
	1	1127966	Frame: Ti for folding back, specifications required - see new chair order form	
	1	1127967	Frame: Ti for fixed back, specifications required - see new chair order form	
3	1	1127959	Camber Tube Asm (specify seat width and camber)	
4	2	1061173	Axle Receiver, Nut, and Lock Washer Asm	
5	2	1145893	Camber Tube Clamp Assembly	
6	1	1143278	1 Piece Tubular Footrest, Aluminum	
7	2	1139750	Footrest Clamp Asm	
8	2	1140378	Footrest Receiver to T6	
9	2	1140379	Footrest Receiver to Ti	
10	2	1143329	Crossfire Fork Assembly (includes fork and two bearings)	
	4	1127954	Fork Bearing	
11	2	1025737	Locknut 1/2"-20	
12	2	1139775	Front Caster Mounting Hardware Kit	
13	1	1145919	Folding Back, Frame Only (specify seat width and height)	
14	1	1127969	Folding Back Latch Kit (includes both RH & LH)	
		1127968	Complete Folding Back Assembly (specify seat width and height)	
15	2	1145917	Swingaway Arm, Right	
16	2	1145918	Swingaway Arm, Left	
17	1	1145882	Swingaway Arm Mounting Hardware	
18	2	1145894	Bushing Assembly, Titanium	
19	2	1061203	Cap, Head Tube, Titanium	
20	2	1073283	Screw, 1/4-28 x 3/4 SHCS	



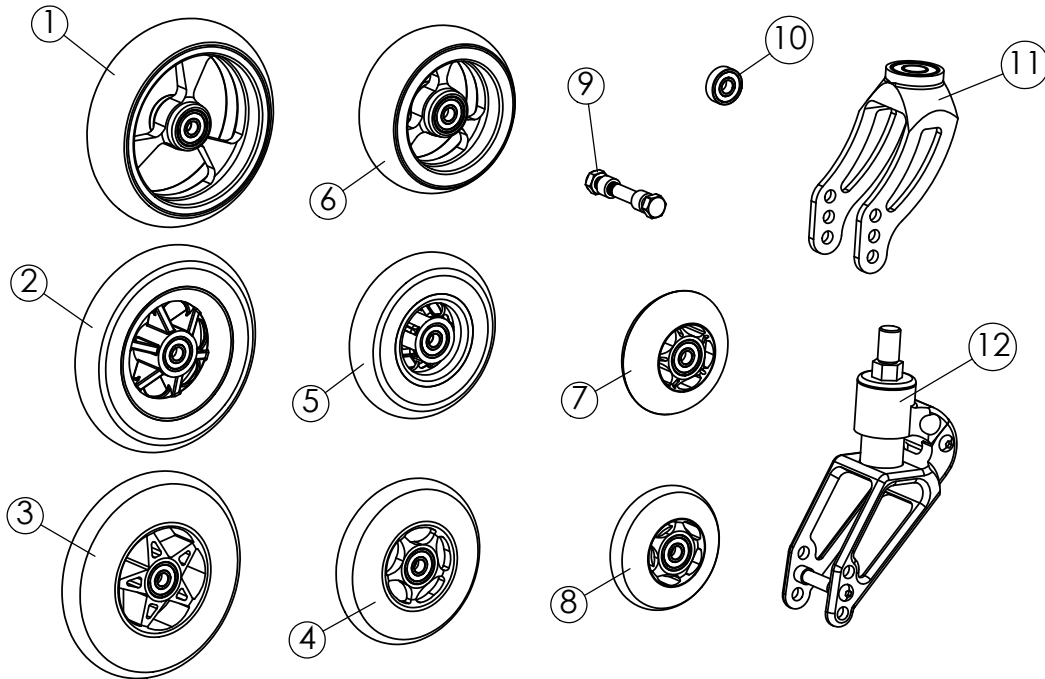
Sports and Recreation Products
 4501 63rd Circle North
 Pinellas Park, FL 33781
 (800) 532-8677 (727) 522-8677
 Fax: (727) 522-1007

Parts Order Diagram Crossfire Fork / Casters

Date: _____ P.O./Customer#: _____ Ship to Customer Provider Part Tracking#: _____
(TOP END Use Only)

Provider _____	Acct# _____
Address _____	Suite _____
City _____	State _____ Zip _____
Work Phone (_____) _____	Fax _____
Cell Phone (_____) _____	
E-mail _____	

Customer _____
Address _____ Apt. _____
City _____ State _____ Zip _____
Home Phone (_____) _____
Cell Phone (_____) _____
E-mail _____



ITEM NO.	PART NUMBER	QTY PER CHAIR	DESCRIPTION	ORDER QTY.
			5" Casters	
1	1116515	2	5" x 1-1/2 Soft Roll w/ Aluminum Hub (Bearings included)	
2	1114143	2	5" Semi-Pneumatic w/ Composite Hub (Bearings included)	
3	1127882	2	5" Lighted Caster w/ Composite Hub (Bearings included)	
			4" Casters	
4	1060910	2	4" Lighted Caster w/ Composite Hub (Bearings included)	
5	1114142	2	4" Semi-Pneumatic w/ Composite Hub (Bearings included)	
6	1116514	2	4" x 1-1/2 Soft Roll w/ Aluminum Hub (Bearings included)	
			3" Casters	
7	1065288	2	3" Caster w/ Composite Hub (Bearings included)	
8	1127881	2	3" Lighted Caster w/ Composite Hub (Bearings included)	
			Caster Hardware	
9	1139775	1	Front Caster Mounting Hardware Kit	
10	1054029	4	Caster Bearing (5/16" I.D. x 7/8" O.D.)	
			Forks	
11	1143329	2	Crossfire Fork Assembly (includes fork and two bearings)	
	1127954	4	Fork Bearing	
12	1139744	1	Crossfire Suspension Fork, Froglegs	
	1139743	2	Crossfire Suspension Fork, Froglegs (less than 125lbs)	



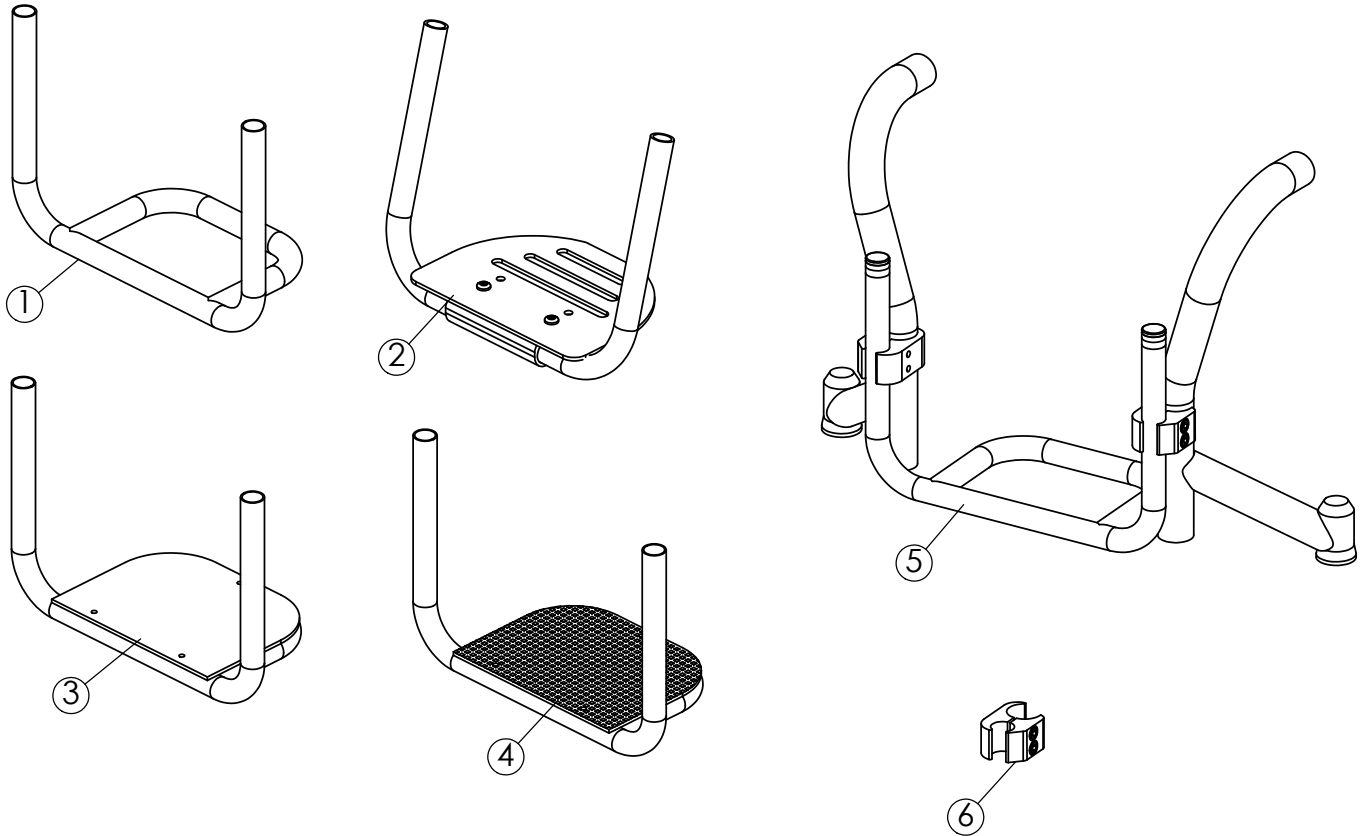
Sports and Recreation Products
 4501 63rd Circle North
 Pinellas Park, FL 33781
 (800) 532-8677 (727) 522-8677
 Fax: (727) 522-1007

Parts Order Diagram Crossfire Footrests

Date: _____ P.O./Customer#: _____ Ship to Customer Provider Part Tracking#: _____
(TOP END Use Only)

Provider _____	Acct# _____
Address _____	Suite _____
City _____	State _____ Zip _____
Work Phone (_____) _____	Fax _____
Cell Phone (_____) _____	
E-mail _____	

Customer _____
Address _____ Apt. _____
City _____ State _____ Zip _____
Home Phone (_____) _____
Cell Phone (_____) _____
E-mail _____



Tapered Front End		"V" Front End		
Foot Rest Width _____		Foot Rest Width _____ Seat Width _____		
ITEM NO.	PART NUMBER	QTY PER CHAIR	DESCRIPTION	ORDER QTY.
1	1143278	1	1 Piece Tubular Footrest, Aluminum	
2	1059482	1	Adjustable Angle One Piece Footplate	
3	1145906	1	1 Piece Tubular Footrest, Aluminum w/ Plastic Cover	
4	1145907	1	1 Piece Tubular Footrest, Aluminum w/ Carbon Fiber Cover	
5	1145916	1	Footrest, Raised Assembly	
6	1139738	2	Clamp, 1-1/8 to 3/4 (Raised Footrest)	



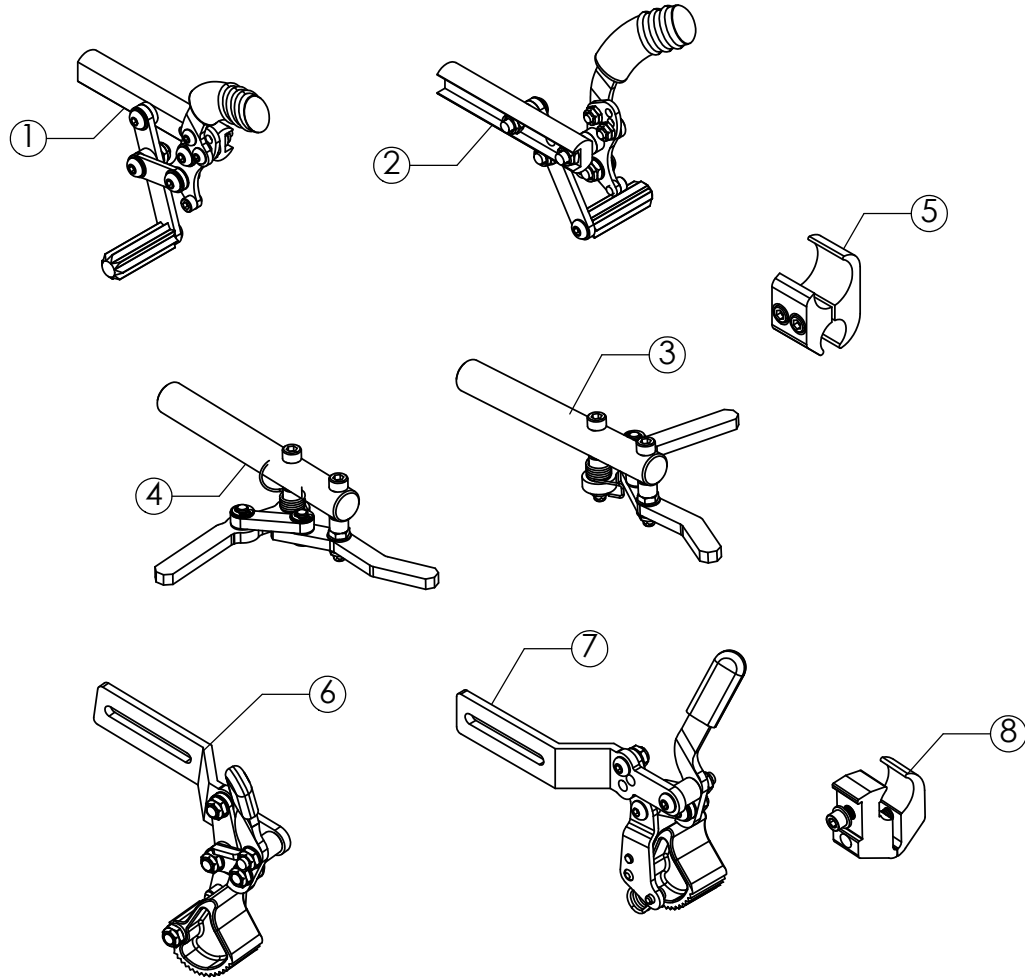
Sports and Recreation Products
 4501 63rd Circle North
 Pinellas Park, FL 33781
 (800) 532-8677 (727) 522-8677
 Fax: (727)522-1007

Parts Order Diagram Crossfire Wheel Locks

Date: _____ P.O./Customer#: _____ Ship to Customer Provider Part Tracking#: _____
(TOP END Use Only)

Provider _____	Acct# _____
Address _____	Suite _____
City _____	State _____ Zip _____
Work Phone (_____) _____	Fax _____
Cell Phone (_____) _____	
E-mail _____	

Customer _____
Address _____ Apt. _____
City _____ State _____ Zip _____
Home Phone (_____) _____
Cell Phone (_____) _____
E-mail _____



ITEM NO.	PART NUMBER	QTY PER CHAIR	DESCRIPTION	ORDER QTY.
1	1125459	1	Wheel Lock, Push/Pull to Lock Assembly, Right	
2	1125460	1	Wheel Lock, Push/Pull to Lock Assembly, Left	
3	1093376	1	Hideaway Undermount Wheel Lock, Left	
4	1093377	1	Hideaway Undermount Wheel Lock, Right	
5	1139738	2	Clamp Assembly, Wheel Lock	
6	1026712	1	Hill Holder Wheellock, Right	
7	1026713	1	Hill Holder Wheel Lock, Left	
8	1145895	2	Clamp Assembly, Hill Holder	



Sports and Recreation Products
 4501 63rd Circle North
 Pinellas Park, FL 33781
 (800) 532-8677 (727) 522-8677
 Fax: (727)522-1007

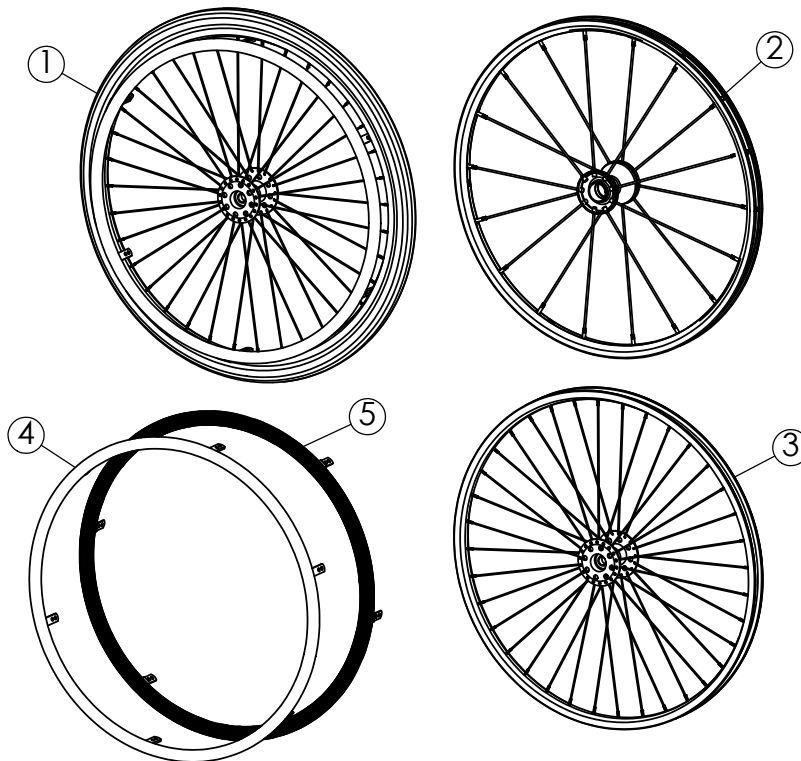
Parts Order Diagram Crossfire

22" Rear Wheels

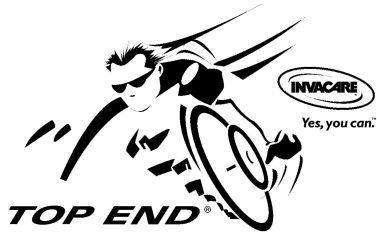
Date: _____ P.O./Customer#: _____ Ship to Customer Provider Part Tracking#: _____
(TOP END Use Only)

Provider _____	Acct# _____
Address _____	Suite _____
City _____	State _____ Zip _____
Work Phone (_____) _____	Fax _____
Cell Phone (_____) _____	
E-mail _____	

Customer _____
Address _____ Apt. _____
City _____ State _____ Zip _____
Home Phone (_____) _____
Cell Phone (_____) _____
E-mail _____



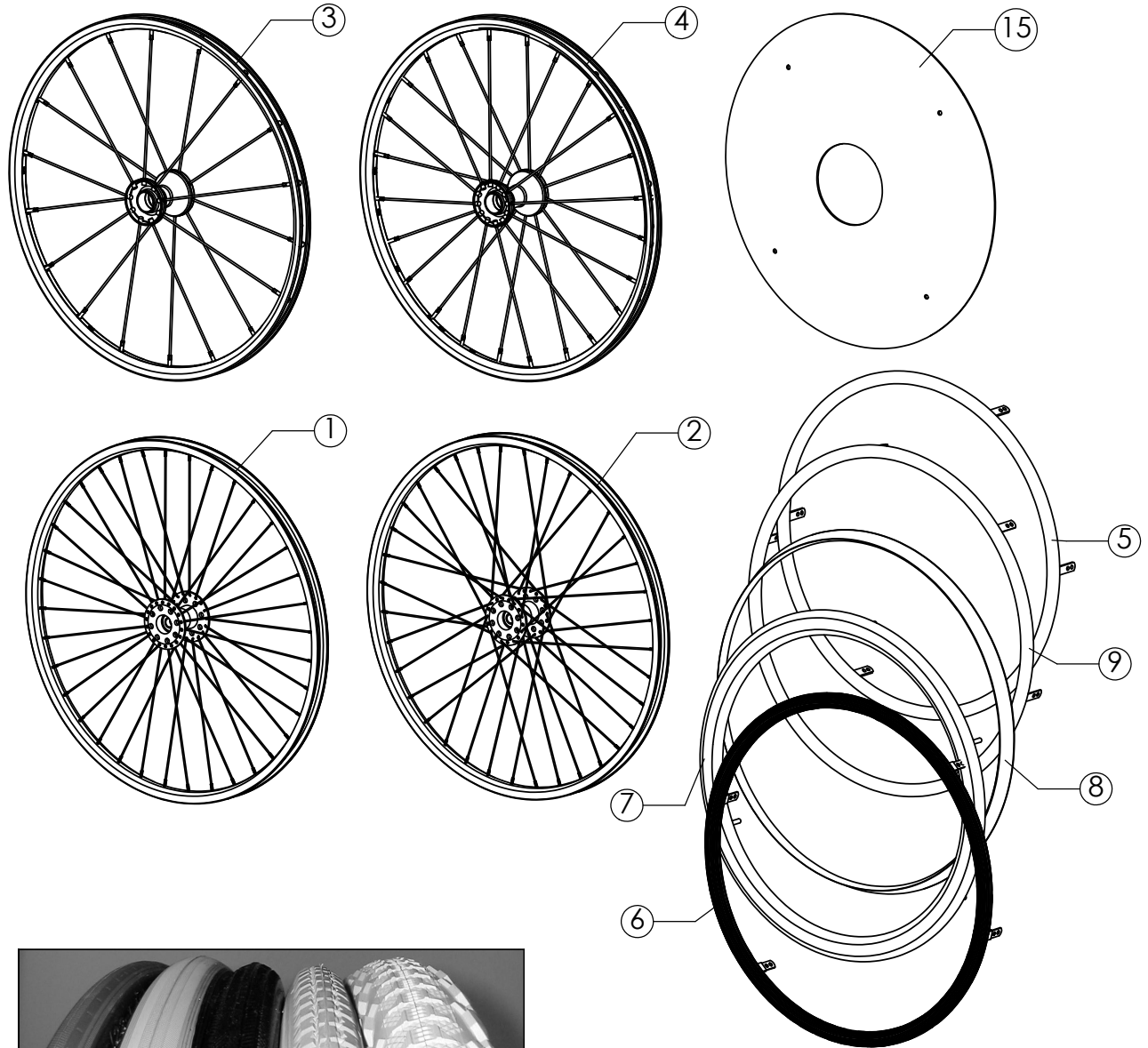
ITEM NO.	PART NUMBER	QTY PER CHAIR	DESCRIPTION	ORDER QTY
			COMPLETE WHEELS	
1	1115588	2	Complete Wheel, Anodized HR, Grey Treaded 1-3/8	
	1115590	2	Complete Wheel w/Flat Free Insert, Anodized HR, Grey Treaded 1-3/8	
			WHEELS	
2	1139753	2	22" (501) Spinerger Everyday Narrow Hub (Yellow or Black)	
3	1054053	2	22" (501) Performance Rear Wheel: Radial	
			HANDRIMS	
4	1054082	2	22" Anodized Handrim	
5	1063567	2	22" Vinyl Coated Handrim	
			TIRES AND TUBES	
	1054070	2	22" (501) Primo V Track High Pressure Clincher Tire	
	1061214	2	22" (501) Tube (Presta Valve)	
	1060153	2	22" (501) Grey Treaded Clincher Tire (22" x 1-3/8)	
	1054072	2	22" (501) Tube (Schrader Valve)	



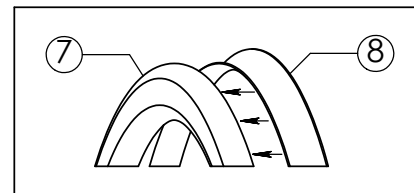
Sports and Recreation Products
 4501 63rd Circle North
 Pinellas Park, FL 33781
 (800) 532-8677 (727) 522-8677
 Fax: (727) 522-1007

Parts Order Diagram Crossfire

24"/25" Rear Wheels



10 11 12 13 14





Sports and Recreation Products
 4501 63rd Circle North
 Pinellas Park, FL 33781
 (800) 532-8677 (727) 522-8677
 Fax: (727)522-1007

Parts Order Diagram Crossfire

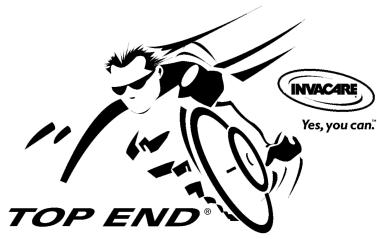
24"/25" Rear Wheels

Date: _____ P.O./Customer#: _____ Ship to Customer Provider Part Tracking#: _____
(TOP END Use Only)

Provider _____	Acct# _____
Address _____	Suite _____
City _____	State _____ Zip _____
Work Phone (_____) _____	Fax _____
Cell Phone (_____) _____	
E-mail _____	

Customer _____
Address _____ Apt. _____
City _____ State _____ Zip _____
Home Phone (_____) _____
Cell Phone (_____) _____
E-mail _____

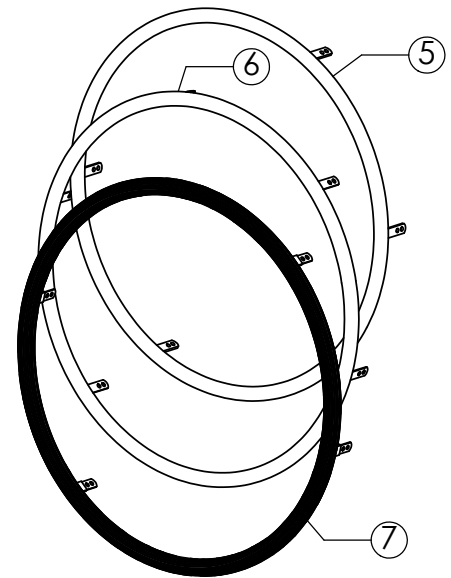
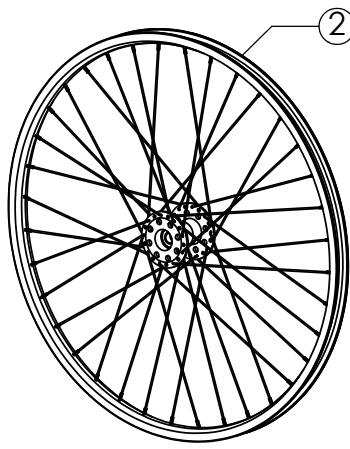
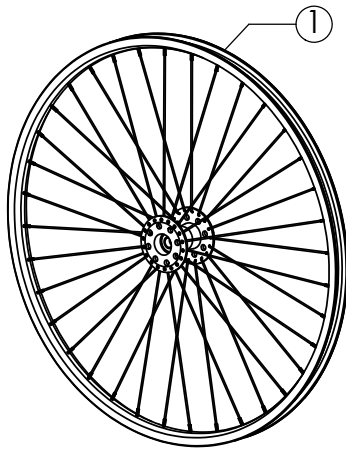
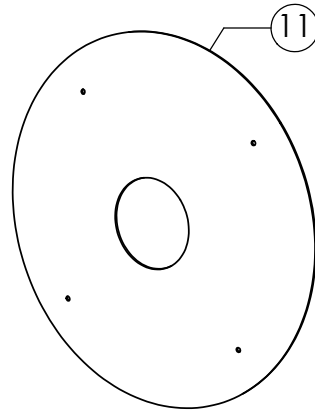
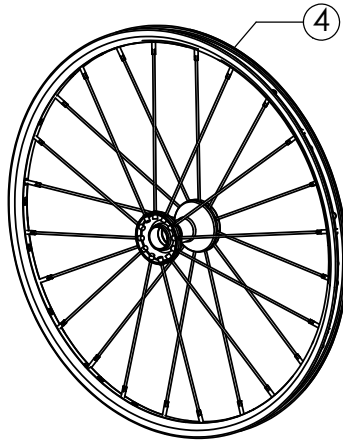
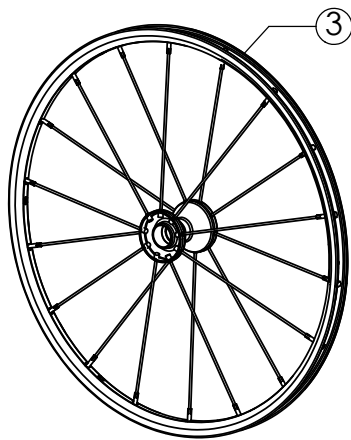
ITEM NO.	PART NUMBER	QTY PER CHAIR	DESCRIPTION	ORDER QTY.
-	-	-	WHEELS	
1	1054054	2	24" (540) Performance Rear Wheel: Radial	
2	1060134	1	24" (540) Performance Rear Wheel: Crossed	
3	1060844	2	24" (540) Spinergy Everyday Narrow Hub (Yellow or Black)	
4	1060202	2	24" (540) Spinergy Sport Wide Hub (Yellow or Black)	
	1054055	2	25" (559) Performance Rear Wheel: Radial	
	1060135	2	25" (559) Performance Rear Wheel: Crossed	
	1060822	2	25" (559) Spinergy Everyday Narrow Hub (Yellow or Black)	
	1060892	2	25" (559) Spinergy Sport Wide Hub (Yellow or Black)	
-	-	-	HANDRIMS	
5	1054083	2	24" Anodized Handrim	
6	1054084	2	24" Vinyl Coated Handrim - Black	
7	1127872	2	24" Natural Fit Standard Grip Handrim	
8	1127873	2	24" Natural Fit Super Grip Handrim	
9	1060873	2	24" Titanium Handrim	
	1054085	2	25" Anodized Handrim	
	1054086	2	25" Vinyl Coated Handrim - Black	
	1127874	2	25" Natural Fit Standard Grip Handrim	
	1127875	2	25" Natural Fit Super Grip Handrim	
	1060874	2	25" Titanium Handrim	
	1145898		Handrim Hardware Kit (6) 10-32 x 1/2" Screws, (6) 10-32 Locknuts	
-	-	-	TIRES AND TUBES	
10	1127915	2	24" (540) Kenda Sport Tire, Clincher, Red	
	1127918	2	24" (540) Kenda Sport Tire, Clincher, Yellow	
11	1054064	2	24" (540) Primo V Track High Pressure Clincher tire	
	1060154	2	24" (540) Tube (Presta Valve)	
12	1054063	2	24" (540) KIK no flat Tire: mako tread - Black	
	1059426	2	24" (540) KIK no flat Tire: mako tread - Grey	
13	1054060	2	24" (540) Grey Treaded Clincher Tire (24" x 1-3/8")	
	1054073	2	24" (540) Tube (24 x 1-3/8")	
14	1143318	2	24" Knobby Tire (USE FOR 25-540 WHEEL)	
	1063519	2	24" (540) Tube (24 x 1-1/2") (USE FOR 25-540 WHEEL)	
	1127916	2	25" (559) Kenda Sport Tire, Clincher, Red	
	1127919	2	25" (559) Kenda Sport Tire, Clincher, Yellow	
	1054067	2	25" (559) Primo High Pressure Clincher tire	
	1060155	2	25" (559) Tube (Presta Valve)	
	1068737	2	25" (559) KIK no flat Tire: mako tread - Black	
	1068736	2	25" (559) KIK no flat Tire: mako tread - Grey	
	1143319	2	26" (559) Knobby Tire (USE FOR 25-559 WHEEL)	
	1145531	2	26" (559) Tube (26 x 1-1/2") (USE FOR 25-559 WHEEL)	
			MISCELLANEOUS	
15	1054079	2	24" Spoke Guard w/ Attachments (specify Clear or Black)	
	1060699	2	25" Spoke Guard w/ Attachments (specify Clear or Black)	
	1115597	2	24" Spoke Wheel Flat Free (incl. wheel, tire, flat free insert, handrim)	



Sports and Recreation Products
 4501 63rd Circle North
 Pinellas Park, FL 33781
 (800) 532-8677 (727) 522-8677
 Fax: (727) 522-1007

Parts Order Diagram Crossfire

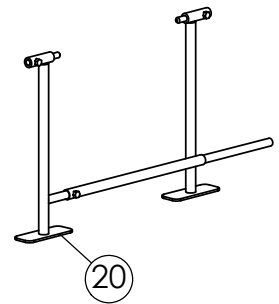
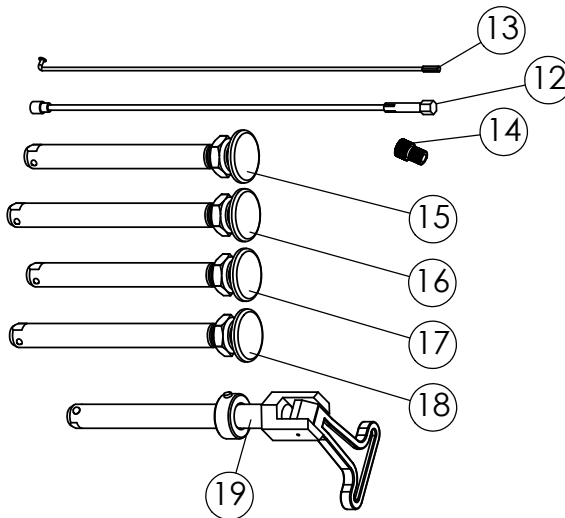
26" Wheels / Accessories



9

8

10





Sports and Recreation Products
 4501 63rd Circle North
 Pinellas Park, FL 33781
 (800) 532-8677 (727) 522-8677
 Fax: (727)522-1007

Parts Order Diagram Crossfire

26" Wheels / Accessories

Date: _____ P.O./Customer#: _____ Ship to Customer Provider Part Tracking#: _____
(TOP END Use Only)

Provider _____	Acct# _____
Address _____	Suite _____
City _____	State _____ Zip _____
Work Phone (_____) _____	Fax _____
Cell Phone (_____) _____	
E-mail _____	

Customer _____
Address _____ Apt. _____
City _____ State _____ Zip _____
Home Phone (_____) _____
Cell Phone (_____) _____
E-mail _____

ITEM NO.	PART NUMBER	QTY PER CHAIR	DESCRIPTION	ORDER QTY.
			WHEELS	
1	1054056	2	26" (590) Performance Rear Wheel: Radial	
2	1060136	2	26" (590) Performance Rear Wheel: Crossed	
3	1059415	2	26" (590) Spinergy Everyday Narrow Hub (Yellow or Black)	
4	1059424	2	26" (590) Spinergy Sport Wide Hub (Yellow or Black)	
			HANDRIMS	
5	1054087	2	26" Anodized Handrim	
6	1060875	2	26" Titanium Handrim	
7	1054088	2	26" Vinyl Coated Handrim - Black	
	1145898		Handrim Hardware Kit (incl. (6) 10-32 x 1/2" Screws, (6) 10-32 Locknuts)	
			TUBES AND TIRES	
8	1054066	2	26" (25-590) Primo High Pressure Clincher Tire	
9	1127917	2	26" (25-590) Kenda Sport Tire, Clincher, Red	
	1127920	2	26" (25-590) Kenda Sport Tire, Clincher, Yellow	
	1054074	2	26" (25-590) Tube (Presta Valve)	
10	1054061	2	26" Grey Treaded Clincher Tire (26 x 1-3/8")	
	1026140	2	26" Tube for Grey Treaded Clincher	
			ACCESSORIES	
11	1054081	2	26" Spoke Guard w/ Attachments (specify Clear or Black)	
12	1060803	-	Spinergy Spoke (specs. required)	
13	1059514	-	Metal Spoke w/ Nipple (indicate model, crossed / radial, and wheel size)	
14	1061215	-	Presta Valve Adaptor	
15	1065303	2	Axle, Quick Release, Standard	
16	1060140	2	Axle, Quick Release, Standard for Wide Hub	
17	1060842	2	Axle, Quick Release, Titanium	
18	1060843	2	Axle, Quick Release, Titanium for Wide Hub	
19	1043487	2	Axle, Quad Release, Standard	
20	1109717	-	Alignment Gauge	
	1061213	2	Rim Strip, (circle one) 22" 24" 25" 26" 700C	
	1060137	2	25-520 Rim	
	1059421	2	25-540 Rim	
	1059423	2	25-559 Rim	
	1059422	2	25-590 Rim	
	1060856	2	Hub, Low Flange - Threaded 1/2", 36 hole	
	1060708	2	Quick Release Hub - 36 hole high flange	
	1054030	4	Bearing, Rear Wheel (1/2" ID x 1-1/8" OD)	



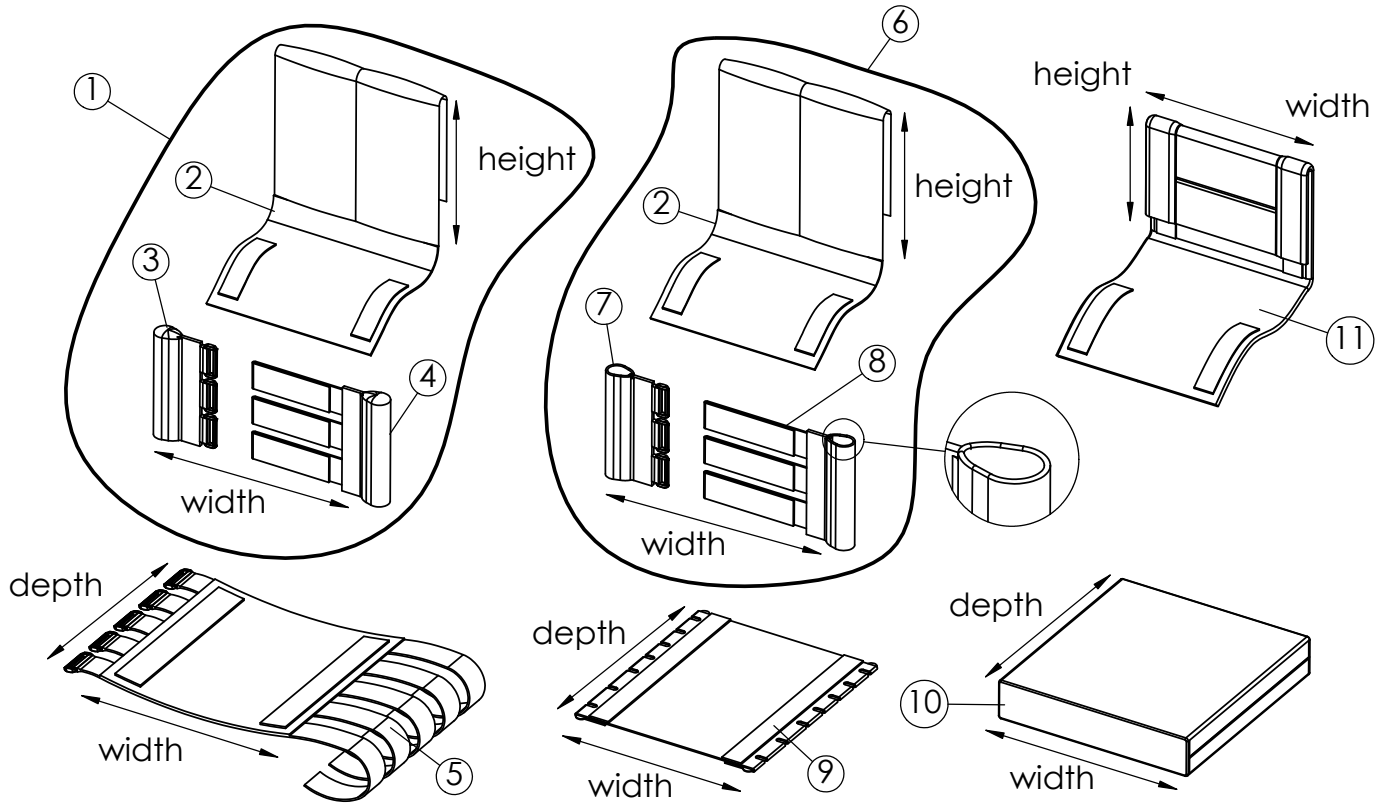
Sports and Recreation Products
 4501 63rd Circle North
 Pinellas Park, FL 33781
 (800) 532-8677 (727) 522-8677
 Fax: (727)522-1007

Parts Order Diagram Crossfire Upholstery

Date: _____ P.O./Customer#: _____ Ship to Customer Provider Part Tracking#: _____
(TOP END Use Only)

Provider _____	Acct# _____
Address _____	Suite _____
City _____	State _____ Zip _____
Work Phone (_____) _____	Fax _____
Cell Phone (_____) _____	
E-mail _____	

Customer _____
Address _____ Apt. _____
City _____ State _____ Zip _____
Home Phone (_____) _____
Cell Phone (_____) _____
E-mail _____



ITEM NO.	PART NUMBER	QTY PER CHAIR	DESCRIPTION	WIDTH (SEAT)	HEIGHT (BACK)	DEPTH (SEAT)	ORDER QTY.
1	1145891	1	Adjustable Tension Back Upholstry				
2	1127960	1	Back Center			XXXXXX	
3	1127961	1	RH Back (Adjustor)			XXXXXX	
4	1127962	1	LH Back (Anchor)			XXXXXX	
5	1127963	1	Seat Upholstery, Adjustable Tension		XXXXXX		
6	1145897	1	Adjustable Tension Back Upholstery, Integral Arm			XXXXXX	
7	1145908	1	RH Back, Integral (Adjustor)			XXXXXX	
8	1145909	1	LH Back, Integral (Anchor)			XXXXXX	
9	1054280	1	Screw-On Seat		XXXXXX		
10	1054272	1	Soft Cushion (circle one)		2" 3" 4"		
11	1065286	1	Fold Over Back Upholstery			XXXXXX	



Sports and Recreation Products
 4501 63rd Circle North
 Pinellas Park, FL 33781
 (800) 532-8677 (727) 522-8677
 Fax: (727)522-1007

Parts Order Diagram

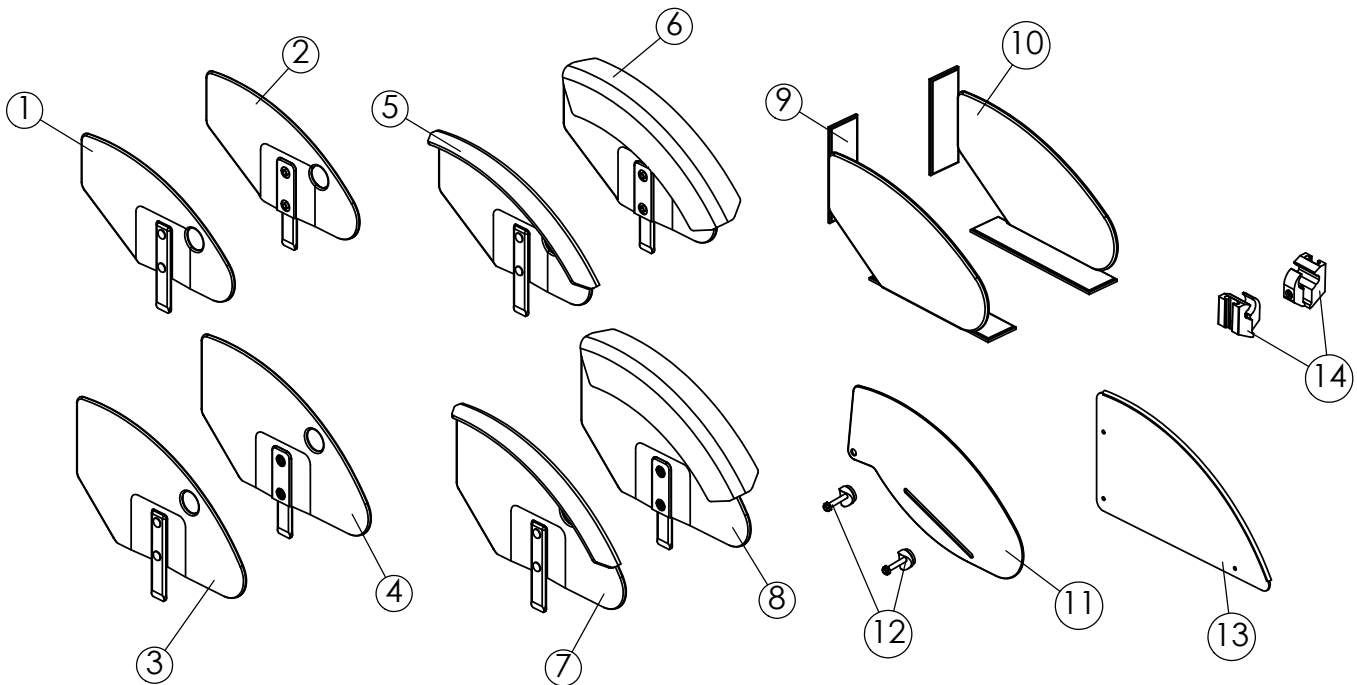
Crossfire

Side Guards

Date: _____ P.O./Customer#: _____ Ship to Customer Provider Part Tracking#: _____
(TOP END Use Only)

Provider _____	Acct# _____
Address _____	Suite _____
City _____	State _____ Zip _____
Work Phone (_____) _____	Fax _____
Cell Phone (_____) _____	
E-mail _____	

Customer _____
Address _____ Apt. _____
City _____ State _____ Zip _____
Home Phone (_____) _____
Cell Phone (_____) _____
E-mail _____



ITEM NO.	PART NUMBER	QTY PER CHAIR	DESCRIPTION	ORDER QTY
1	1036407	1	Removable Side Guard, Small, Right	
2	1036408	1	Removable Side Guard, Small, Left	
3	1036405	1	Removable Side Guard, Large, Right	
4	1036406	1	Removable Side Guard, Large, Left	
5	1145645	1	Removable Side Guard w/ Fender, Small, Right	
6	1145646	1	Removable Side Guard w/ Fender, Small, Left	
7	1145643	1	Removable Side Guard w/ Fender, Large, Right	
8	1145644	1	Removable Side Guard w/ Fender, Large, Left	
9	1054277	1	Cloth Side Guard, Right	
10	1054278	1	Cloth Side Guard, Left	
11	1114087	2	Folding Side Guard (each)	
12	1145892	1	Mounting Hardware Kit for Folding Side Guards	
13	1059414	1	Fixed Side Guard Kit, Aluminum (RH & LH, Outline Required)	
14	1036342	1	Mounting Hardware Kit for Removable Side Guards	



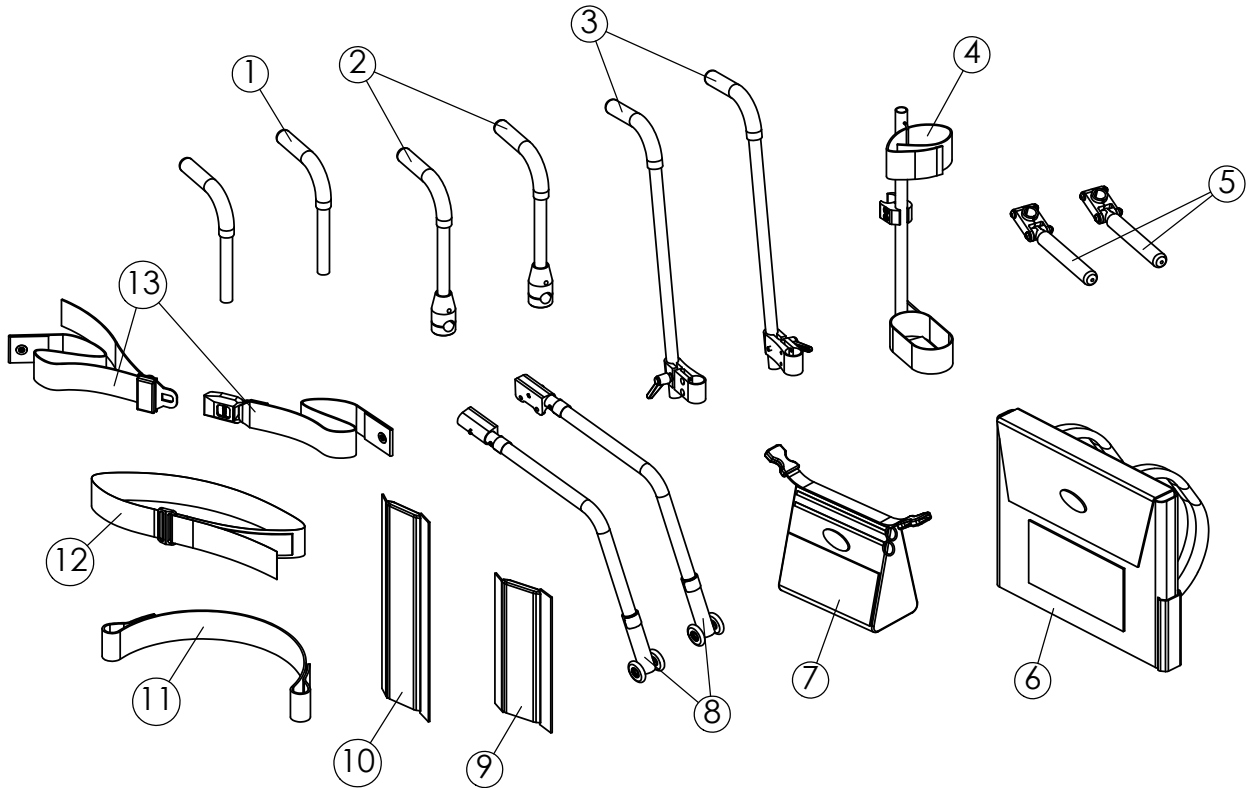
Sports and Recreation Products
 4501 63rd Circle North
 Pinellas Park, FL 33781
 (800) 532-8677 (727) 522-8677
 Fax: (727) 522-1007

Parts Order Diagram Crossfire Accessories

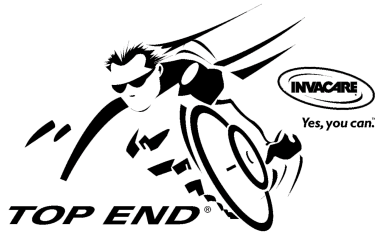
Date: _____ P.O./Customer#: _____ Ship to Customer Provider Part Tracking#: _____ (TOP END Use Only)

Provider _____	Acct# _____
Address _____	Suite _____
City _____	State _____ Zip _____
Work Phone (_____) _____	Fax _____
Cell Phone (_____) _____	
E-mail _____	

Customer _____
Address _____ Apt. _____
City _____ State _____ Zip _____
Home Phone (_____) _____
Cell Phone (_____) _____
E-mail _____



ITEM NO.	PART NUMBER	QTY PER CHAIR	DESCRIPTION	ORDER QTY
1	1054163	2	Bolt-Through Integral Push Handle w/ Mtg Hardware (each), specify fixed or folding back	
2	1063538	1	Non-Adjustable bolt-on Push Handles w/ Mtg Hardware	
	1063529	2	Non-Adjustable bolt-on Push Handle Cane (each)	
3	1116587	1	Adjustable Push Handles w/ Mtg Hardware	
	1127870	2	Adjustable Push Handle Cane (each)	
4	1068723	1	Crutch Holder, Strap and Mtg hardware	
5	1145899	1	Luggage Carriers w/ 1" to 3/4" Inserts	
6	1109322	1	Back Pack, Small (14" wide)	
	1109323	1	Back Pack, Large (16" - 20" wide)	
7	1109324	1	Seat Pouch	
8	1144437	1	Rear Anti-Tip Assembly w/ Mtg Hardware (specify if Swing Away Arms present)	
	1112178	2	Rear Anti-Tip (each)	
9	1143295	1	Rear Back Bar Frame Protector	
10	1145900	1	Front Frame Vertical Protectors (pair)	
11	1054268	1	Leg / Calf Strap (specify 30", 35", or 45")	
12	1109772	1	Positioning strap, Velcro hook & loop style	
13	1004310	1	Seat Positioning Strap, Auto Style Buckle	



Sports and Recreation Products
 4501 63rd Circle North
 Pinellas Park, FL 33781
 (800) 532-8677 (727) 522-8677
 Fax: (727) 522-1007

Parts Order Diagram Crossfire Price List

Part No.	Retail Price	Part No.	Retail Price	Part No.	Retail Price	Part No.	Retail Price
1004310	\$53.00	1059414	\$100.00	1065288	\$21.20	1127964	\$714.00
1025737	\$4.00	1059415	\$325.00	1065303	\$26.50	1127965	\$789.00
1026140	\$6.35	1059421	\$37.10	1068723	\$125.00	1127966	\$1,858.89
1026712	\$47.70	1059422	\$37.10	1068736	\$27.00	1127967	\$2,158.89
1026713	\$47.70	1059423	\$37.10	1068737	\$27.00	1127969	\$183.00
1036342	\$47.46	1059424	\$325.00	1073283	\$4.00	1139738	\$12.00
1036405	\$42.40	1059426	\$27.00	1093376	\$121.00	1139742	\$15.00
1036406	\$42.40	1059482	\$125.00	1093377	\$121.00	1139743	\$300.00
1036407	\$42.40	1059514	\$4.00	1109322	\$72.00	1139744	\$300.00
1036408	\$42.40	1060134	\$159.00	1109324	\$42.00	1139750	\$10.50
1043487	\$68.90	1060135	\$159.00	1109717	\$77.00	1139753	\$325.00
1054029	\$4.00	1060136	\$159.00	1109772	\$40.00	1139775	\$6.65
1054030	\$7.00	1060137	\$37.10	1112178	\$30.00	1140378	\$10.50
1054053	\$90.00	1060140	\$30.65	1114087	\$35.70	1140379	\$10.50
1054054	\$148.40	1060153	\$6.35	1114142	\$35.00	1143278	\$55.00
1054055	\$148.40	1060154	\$6.35	1114143	\$35.00	1143295	\$20.00
1054056	\$148.40	1060155	\$6.35	1115588	\$250.00	1143318	\$17.50
1054060	\$8.25	1060202	\$325.00	1115590	\$250.00	1143319	\$20.50
1054061	\$12.00	1060699	\$42.40	1115597	\$250.00	1143329	\$100.00
1054063	\$27.00	1060708	\$58.30	1116514	\$55.00	1144437	\$100.00
1054064	\$15.00	1060712	\$7.00	1116515	\$55.00	1145643	\$60.00
1054066	\$17.00	1060803	\$10.00	1116516	\$55.00	1145644	\$60.00
1054067	\$16.00	1060822	\$325.00	1116587	\$200.00	1145645	\$60.00
1054070	\$16.00	1060842	\$84.00	1125459	\$42.00	1145646	\$60.00
1054070	\$16.00	1060843	\$84.00	1125460	\$42.00	1145882	\$75.00
1054072	\$5.85	1060844	\$325.00	1127870	\$21.50	1145891	\$121.90
1054073	\$6.35	1060856	\$106.00	1127872	\$155.00	1145892	\$7.00
1054074	\$5.30	1060873	\$255.00	1127873	\$177.50	1145893	\$25.00
1054079	\$34.45	1060874	\$255.00	1127874	\$155.00	1145894	\$25.00
1054081	\$53.00	1060875	\$255.00	1127875	\$177.50	1145895	\$16.00
1054082	\$44.50	1060892	\$325.00	1127881	\$30.00	1145897	\$150.00
1054083	\$45.00	1060910	\$37.00	1127882	\$37.00	1145898	\$4.00
1054084	\$63.60	1061173	\$5.00	1127915	\$18.75	1145899	\$100.00
1054085	\$45.00	1061195	\$6.65	1127916	\$19.75	1145900	\$40.00
1054086	\$63.60	1061203	\$10.00	1127917	\$20.75	1145906	\$100.00
1054087	\$45.00	1061213	\$4.00	1127918	\$18.75	1145907	\$165.00
1054088	\$63.60	1061214	\$7.00	1127919	\$19.75	1145908	\$40.00
1054163	\$45.00	1061215	\$4.00	1127920	\$20.75	1145909	\$25.00
1054268	\$15.90	1063519	\$7.00	1127954	\$7.00	1145916	\$67.00
1054272	\$74.45	1063529	\$18.00	1127959	\$150.00	1145917	\$35.70
1054277	\$75.00	1063538	\$89.10	1127960	\$85.00	1145918	\$35.70
1054278	\$75.00	1063567	\$44.00	1127961	\$40.00	1145919	\$83.48
1054280	\$53.00	1065274	\$224.00	1127962	\$25.00		
1059404	\$37.10	1065286	\$152.25	1127963	\$80.00		

All prices subject to change without notice. All prices in U.S. dollars. All orders F.O.B. Pinellas Park, Florida, USA.